



FIRESTOP CENTRE

Authorised New Zealand Distributor
Ph (09) 483 4000 www.firestopcentre.co.nz

AGNI-Sleeve in 120mm Concrete Floor/Ceiling 40-90mm PPR Pipe, Top Fix FRR -/120/120

Step-by-step installation instructions:

1. Ensure the aperture is free from dust and debris.
2. Cut the necessary width and length of AGNI-Sleeve.
3. Make two slits from the opposite sides of AGNI-Sleeve.
4. Insert AGNI-Strap into the slits.
5. Wrap the pipe with AGNI-Sleeve with no overlap.
6. Ensure that AGNI-Sleeve extends 25mm from separating element from both sides of the separating element.
7. Fix AGNI-Sleeve with AGNI-Strap.
8. Install AGNI-Clips under AGNI-Strap.
9. Fix AGNI-Clips to concrete using masonry screws.
10. Apply AGNI-Seal to all junctions: the pipe to AGNI-Sleeve and AGNI-Sleeve to the concrete floor/ceiling.



System ID# FC813



Agnitek
FIRE RATED TECHNOLOGY

8 Clare St Bayswater
VIC 3153, AUSTRALIA
www.agnitek.com.au

Technical Information

Substrate	• Min. 120mm concrete floor/ceiling
Service range	DN 40mm up to 90mm PP-R pipe
Annular gap	7.5 - 12mm
AGNI-Products	AGNI-Sleeve, AGNI-Strap, AGNI-Clips, AGNI-Seal
Protection installation	Asymmetrical (installed from above the floor/ceiling only)

Compliance Information

Standards	AS1530.4-2014, AS4072.1-2005
FRR/FRL	-/120/120
Reference	RIRF24073 (AP-055)

Disclaimer

Agnitek reserves the right to modify product specifications without prior notice due to its ongoing research, development & certification programme. The information in this document is provided in good faith and is intended for guidance purposes only. Any accompanying drawings are solely for illustrative purposes. Since Agnitek cannot oversee installation methods or ensure site conditions, no warranties, expressed or implied, are intended regarding the products' actual performance. We do not accept liability for any loss, damage, or injury from using this information. Please take a look at the test reports displayed on a relevant AGNI-System webpage for all compliance specifics.

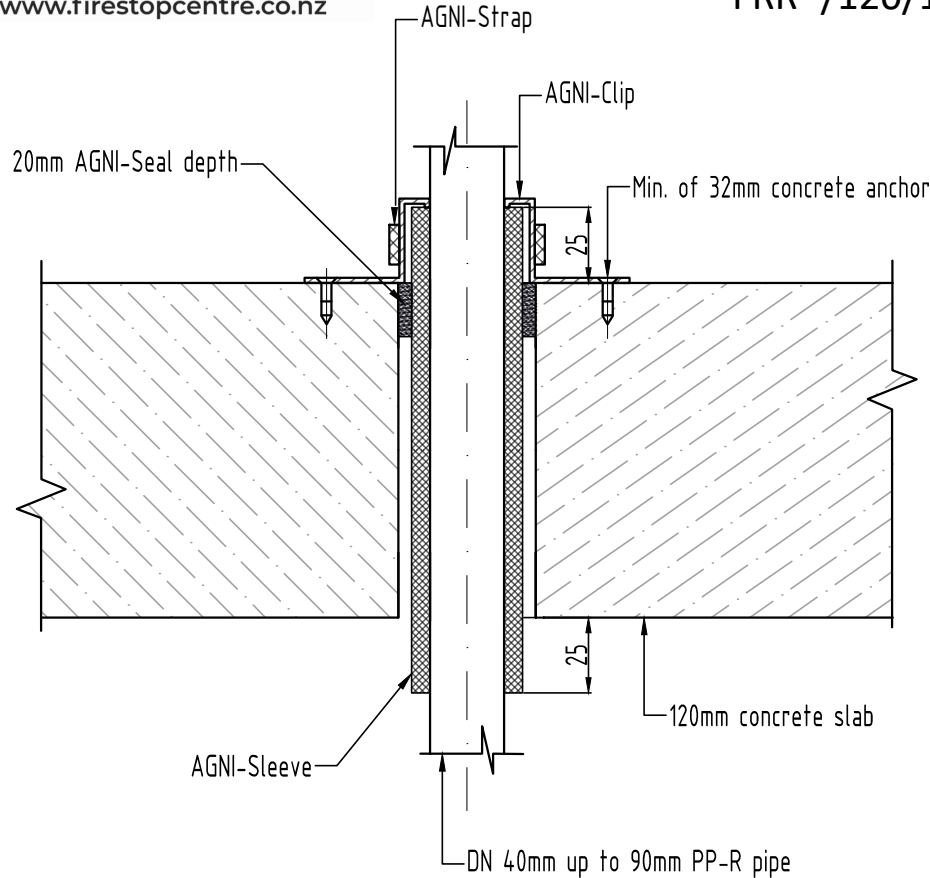
Date	18.07.2024
------	------------



FIRESTOP CENTRE

Authorised New Zealand Distributor
Ph (09) 483 4000 www.firestopcentre.co.nz

AGNI-Sleeve in 120mm Concrete Floor/Ceiling 40-90mm PPR Pipe, Top Fix FRR -/120/120



System ID# FC813



Agnitek
FIRE RATED TECHNOLOGY

8 Clare St Bayswater
VIC 3153, AUSTRALIA
www.agnitek.com.au

Technical Information

Substrate	• Min. 120mm concrete floor/ceiling
Service range	DN 40mm up to 90mm PP-R pipe
Annular gap	7.5 - 12mm
AGNI-Products	AGNI-Sleeve, AGNI-Strap, AGNI-Clips, AGNI-Seal
Protection installation	Asymmetrical (installed from above the floor/ceiling only)

Compliance Information

Standards	AS1530.4-2014, AS4072.1-2005
FRR/FRL	-/120/120
Reference	PF24073

Disclaimer
Agnitek reserves the right to modify product specifications without prior notice due to its ongoing research, development & certification programme. The information in this document is provided in good faith and is intended for guidance purposes only. Any accompanying drawings are solely for illustrative purposes. Since Agnitek cannot oversee installation methods or ensure site conditions, no warranties, expressed or implied, are intended regarding the products' actual performance. We do not accept liability for any loss, damage, or injury from using this information. Please take a look at the test reports displayed on a relevant AGNI-System webpage for all compliance specifics.

Date 18.07.2024